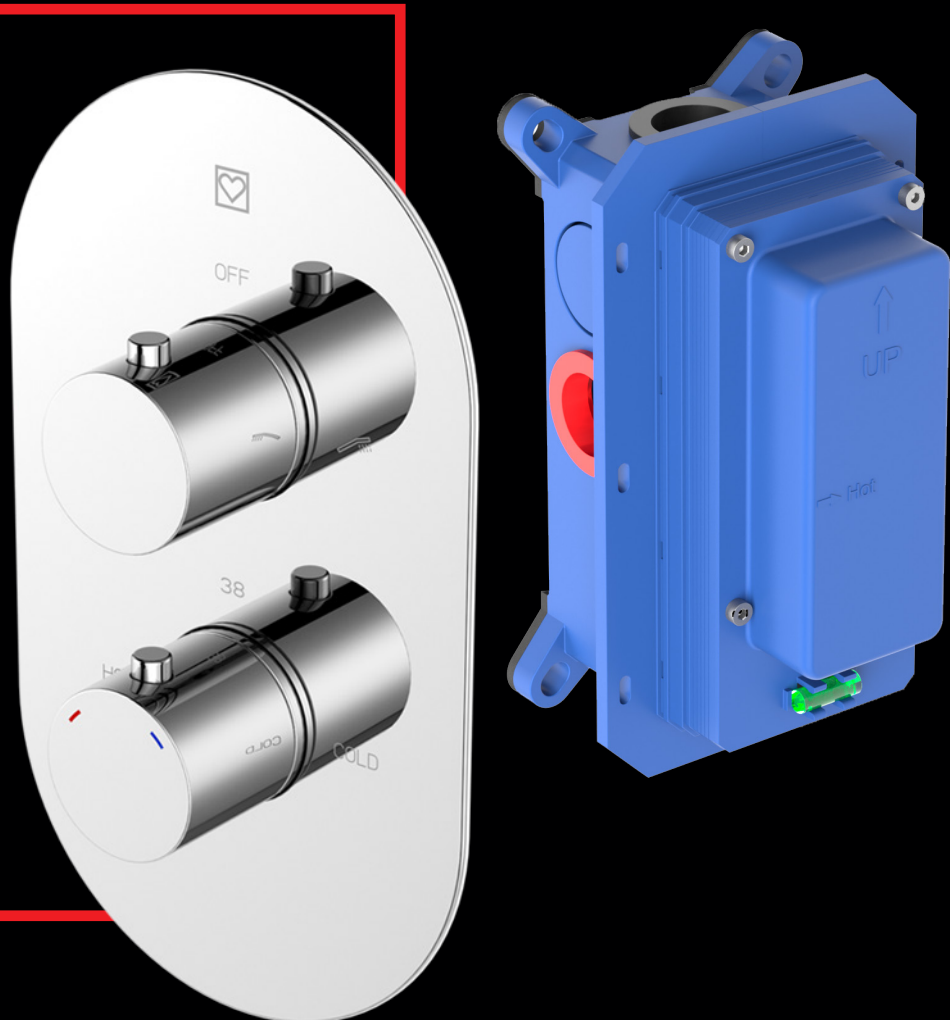


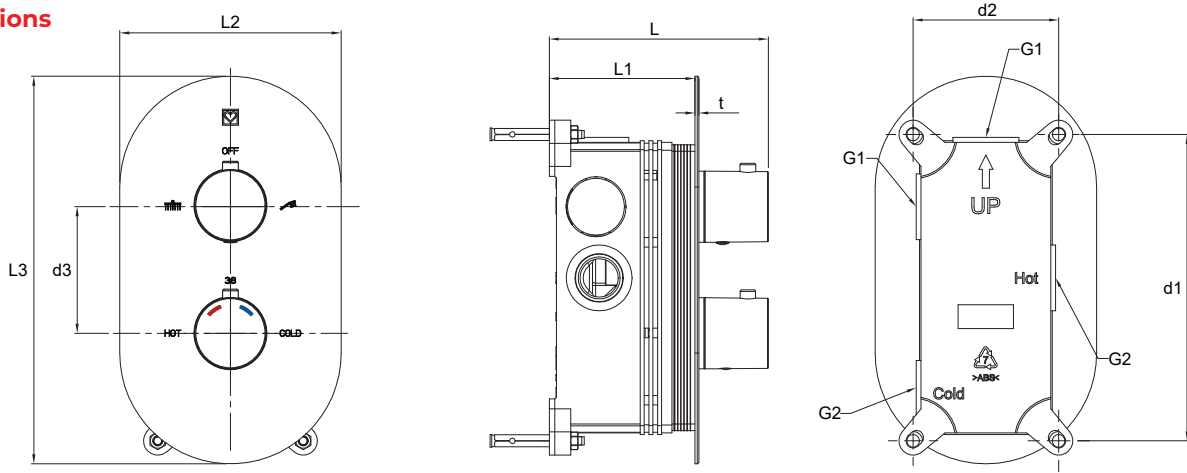
CONCEALED THERMOSTATIC MIXER

WITH 2 OUTLETS



NEW

Dimensions



Order Nr.	L [mm]	L1 [mm]	L2 [mm]	L3 [mm]	d1 [mm]	d2 [mm]	d3 [mm]	t [mm]	G1 [in]	G2 [in]
00399	139	78-92	140	245	193,7	92	80	2,5	1/2"	3/4"

Operating data

Operating temperature:	5 °C to 80 °C
Operating pressure:	0,5 bar to 10 bar
Recommended pressure:	1 bar to 4 bar
Safety block temperature:	38 °C
Flow rate:	

Order Nr.	0.1 bar	0.2 bar	0.3 bar	0.4 bar	0.5 bar	1 bar	2 bar	3 bar	4 bar	5 bar	Remarks
Flow rate (L/min)	2,6	5,1	6,7	8	9	13,1	19	23,5	27,2	34,3	Middle water outlet
	3,2	5,3	6,9	8,2	9,2	13,5	19,5	24	27,8	35,7	Right water outlet

Field of application

A concealed thermostatic mixer with 2 outlets is used in the bathroom where you connect the mixer with rain shower and hand shower. Once the temperature of the water is set, it will remain the same until you change it, this also reduces water consumption. It has a great advantage that you can safety block the temperature at 38°C, which can provide effective protection against burns especially when used by younger children.

Function principle

Concealed thermostatic mixer can be set in many different positions, because the temperature can be set as desired. Below are three main different positions to show the operation of the mixer:

1. Diverter is set on OFF and thermostat is set on 38°C.
2. Diverter is set on HAND SHOWER and thermostat is set on COLD water.
3. Diverter is set on RAIN SHOWER and thermostat is set on HOT water.

